

WINDOW BOX AND DOOR CASING



WINDOW BOX

These boxes are made to measure and are designed with a regulation system approx. 20 mm., for possible fitting adjustment.

The boxes usually have an overflow device on the bottom due to possible condensation.

DOORS CASING

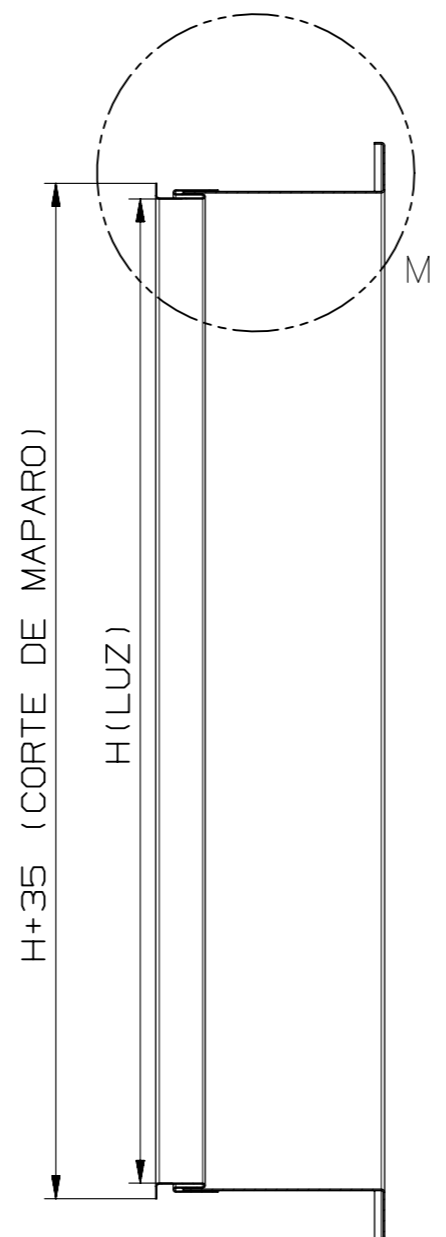
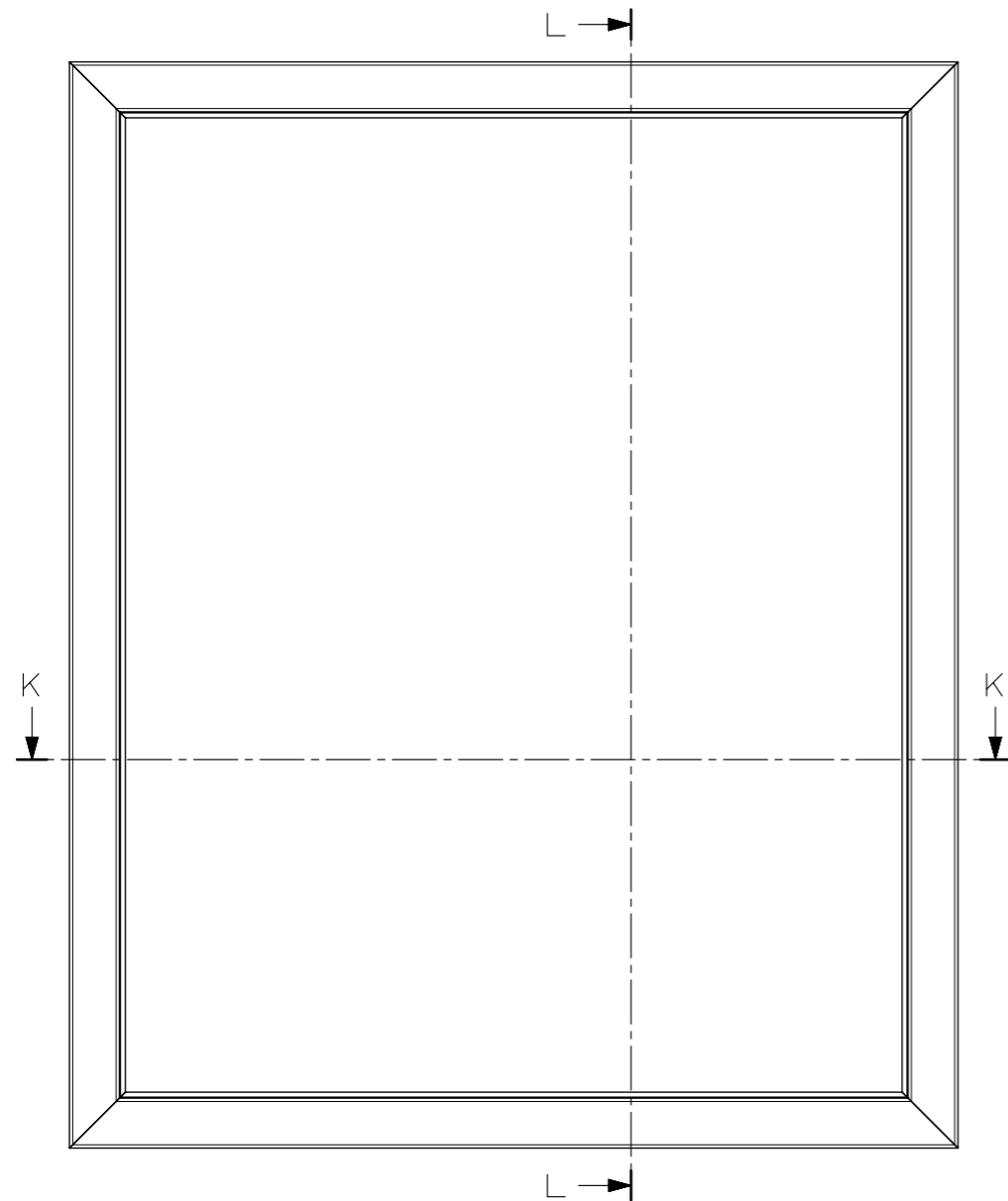
These casings are measure made for doors Class A or B and are designed with a regulation system for possible fitting adjustment, and are usually used as a finishing between door and bulkhead when the distance is bigger than standard.

DESCRIPTION

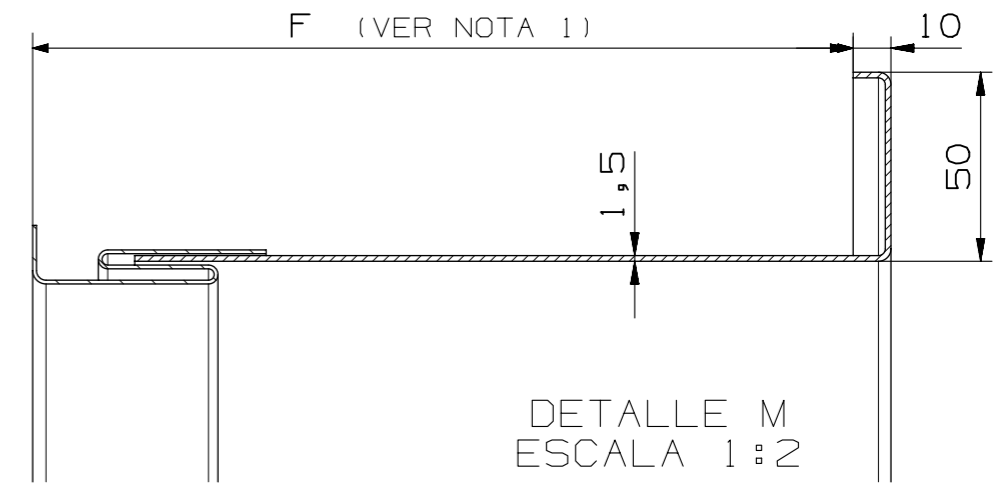
WINDOW BOXES AND CASINGS

Material:

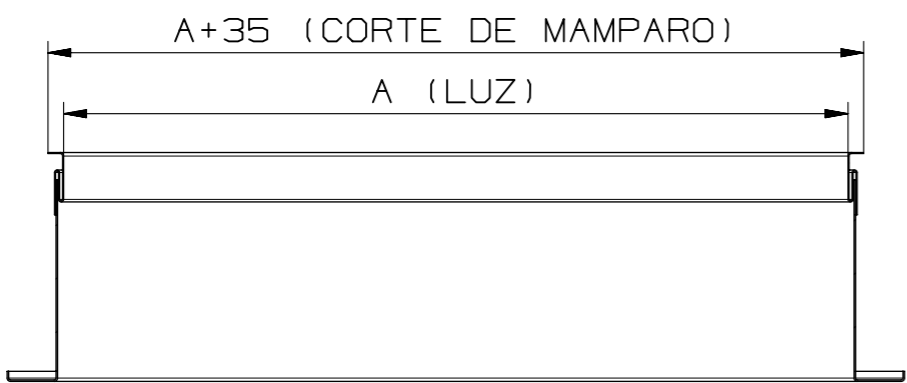
Galvanized steel 1,5 mm., thick powder coating for greater resistance to wear and impact. According to color list/stainless steel finishing 2B/2j.



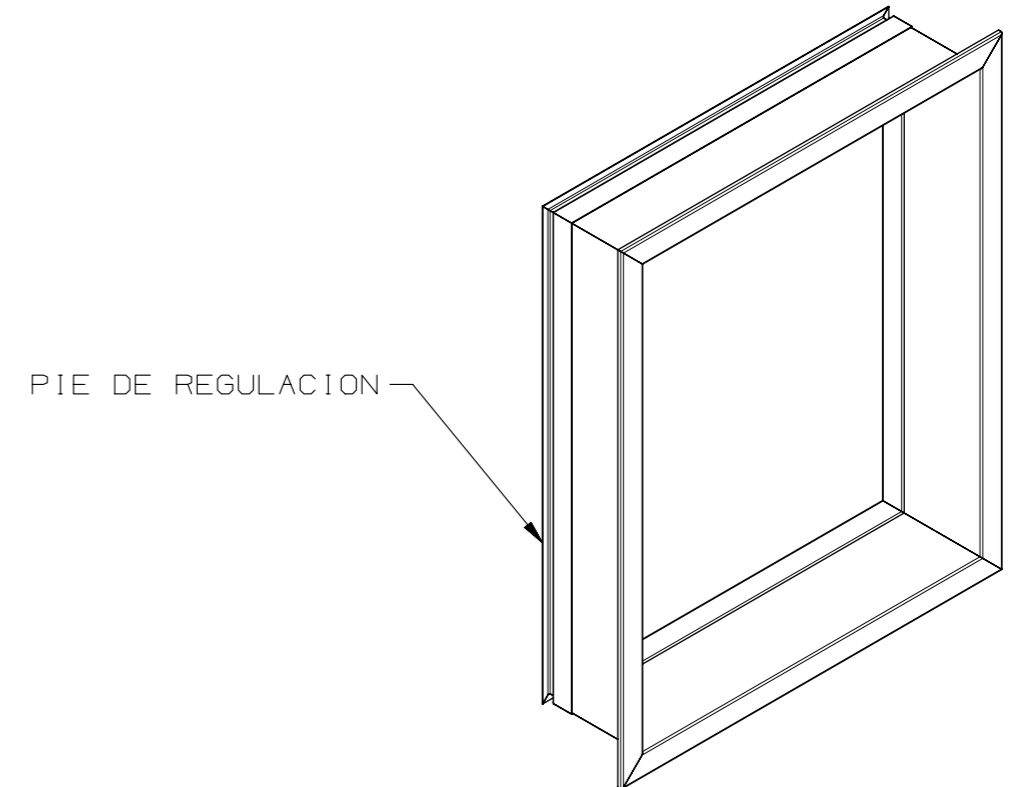
SECCION L-L



DETALLE M
ESCALA 1:2



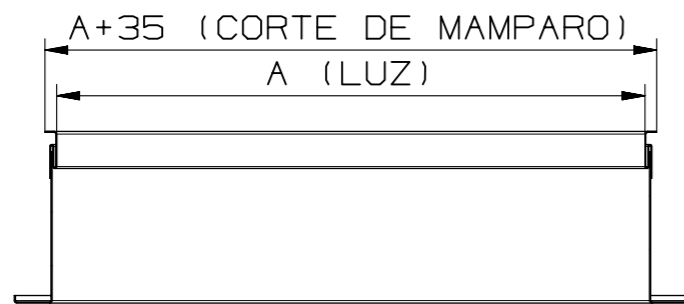
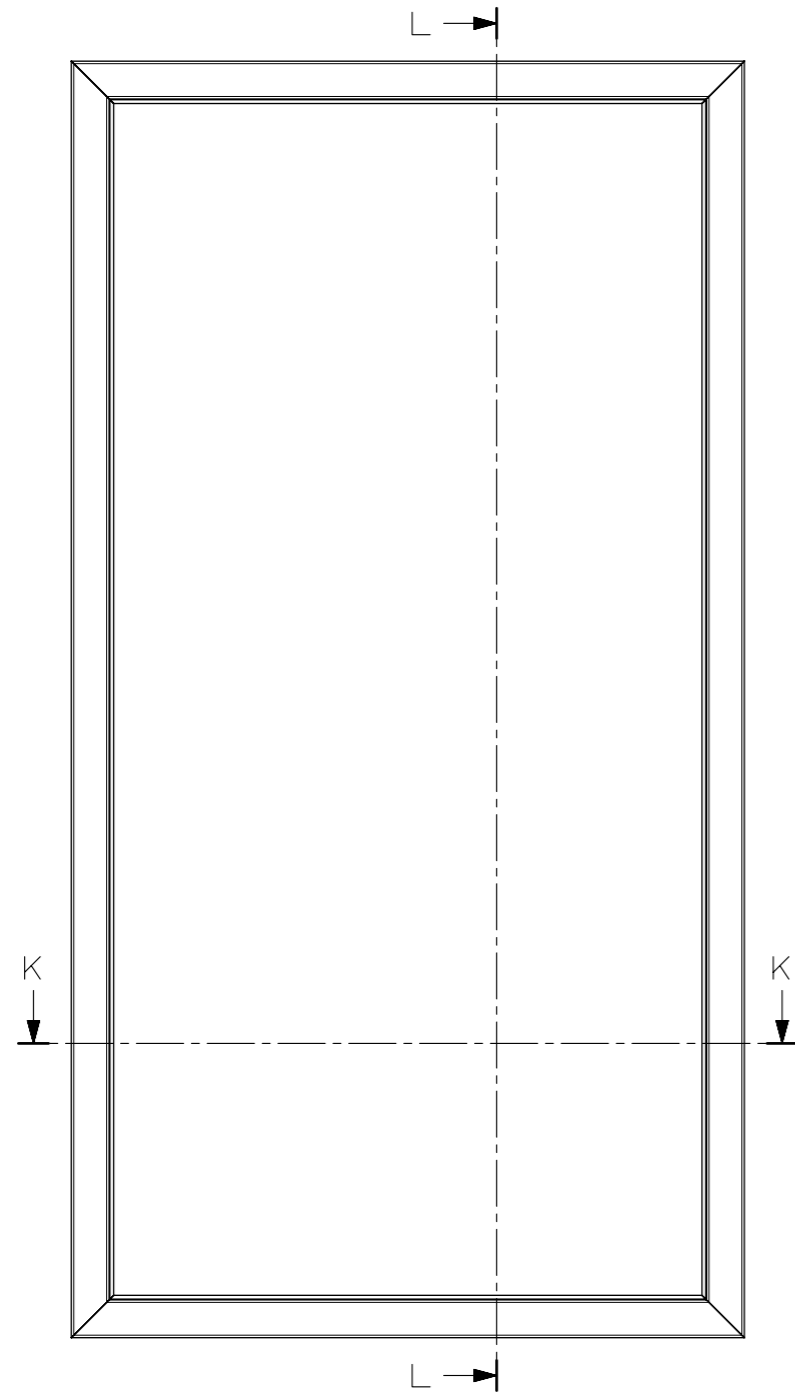
SECCION K-K



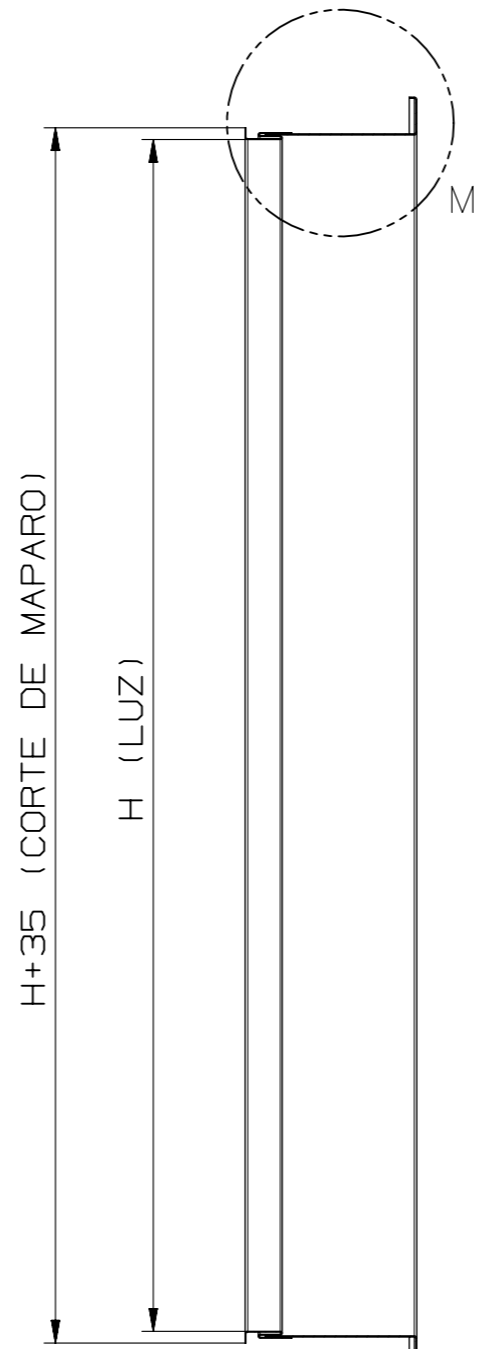
NOTA 1: DIMENSION DE F (FONDO) REGULABLE +/- 15mm

ACABADOS:
- ACERO GALV LACADO SEGUN GAMA DE COLORES "RAL"
- ACERO INOXIDABLE AISI 304

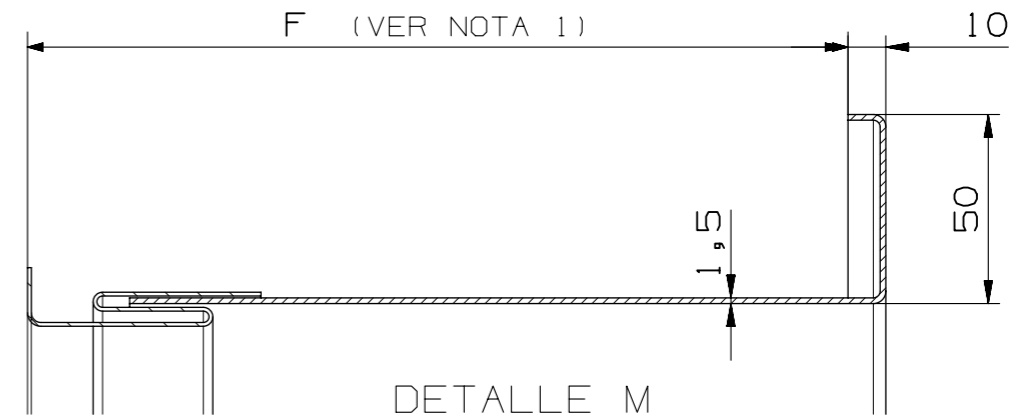
	TITULO: CAJA DE VENTANA ESTANDAR +PIE DE REGULACION	
	OBRA: ESTANDAR	ESCALA: 1:7,5
DIBUJADO POR: F. Castro DRAWN BY:	PARTIDA:	FECHA: 01-01-08 DATE:
REVISADO POR: I. Piñón CHECKED BY:	PLANO N°: PL-01/IS-000-V-012 DRAWING N°:	HOJA: 1 DE: 1 SHEET: OF: 1
APROBADO POR: APPROVED BY:	REV: 0	



SECCION K-K

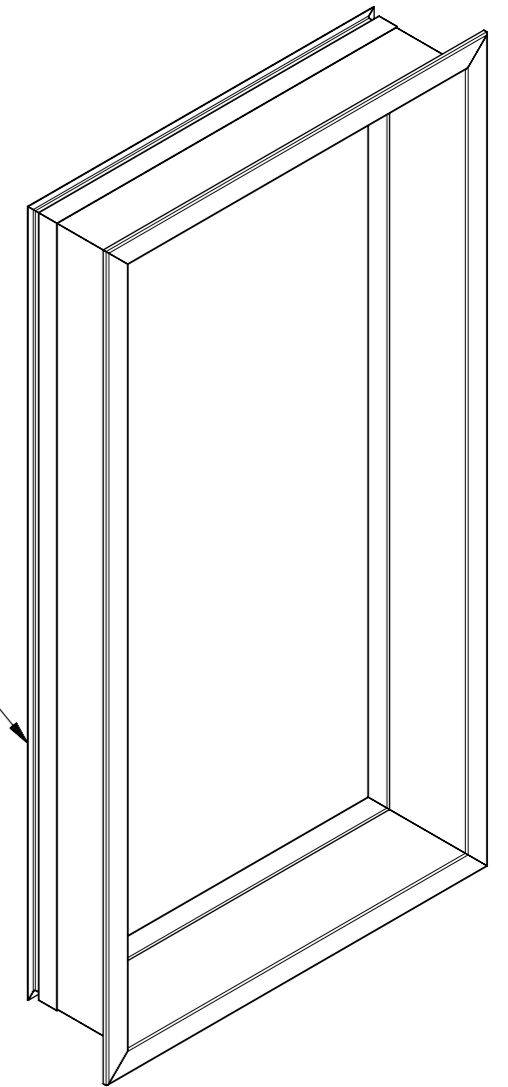


SECCION L-L




DETALLE M
ESCALA 1:2

PIE DE REGULACION



NOTA 1: DIMENSION DE F (FONDO) REGULABLE +/- 15mm

ACABADOS:
-ACERO GALV LACADO SEGUN GAMA DE COLORES "RAL"
-ACERO INOXIDABLE AISI 304

 ISONELL SISTEMAS DE HABILITACIÓN NAVAL	TITULO: TITLE: EMBOCADURA DE PUERTA +PIE DE REGULACION	
	OBRA: WORK: ESTANDAR	ESCALA: SCALE: 1:10
DIBUJADO POR: DRAWN BY: F. Castro	PARTIDA: DEPARTURE:	FECHA: DATE: 01-01-08
REVISADO POR: CHECKED BY: I. Piñón	PLANO N°: DRAWING N°: PL-01/IS-000-E-012	HOJA: SHEET: 1 DE: OF: 1
APROBADO POR: APPROVED BY:	REV: 0	