



DOORS



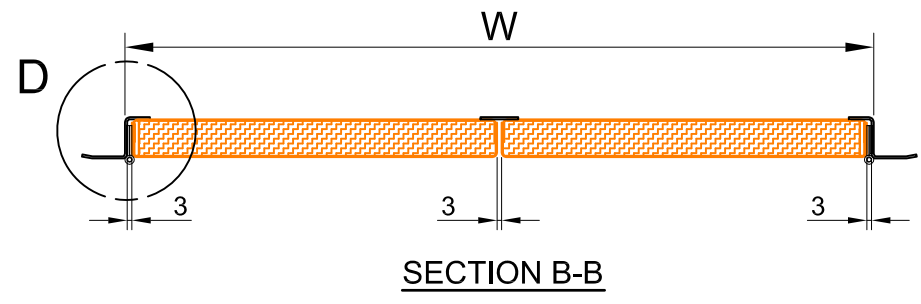
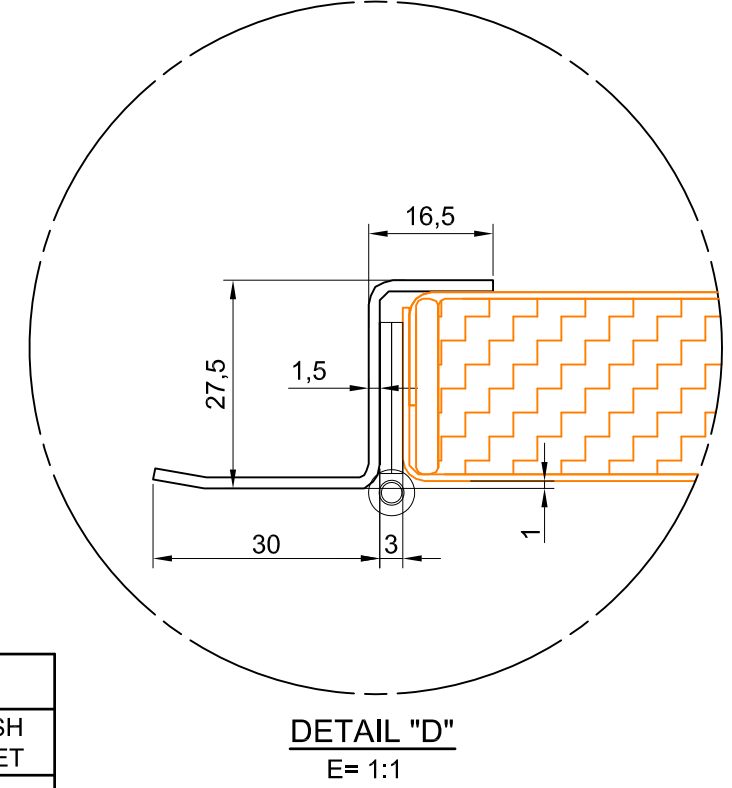
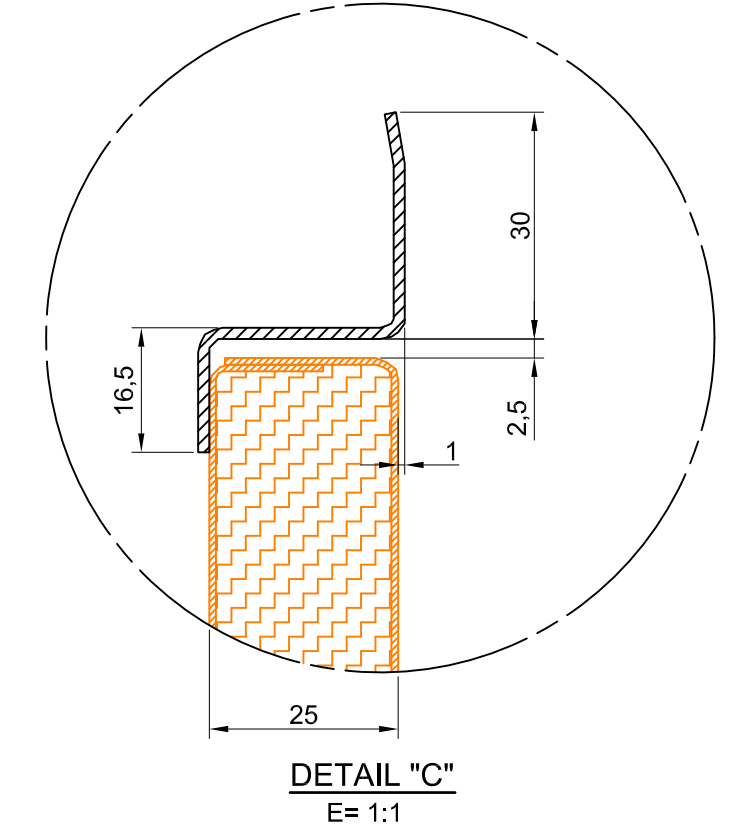
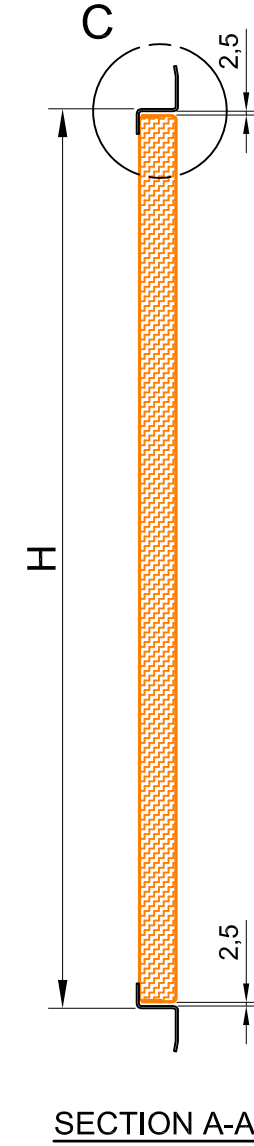
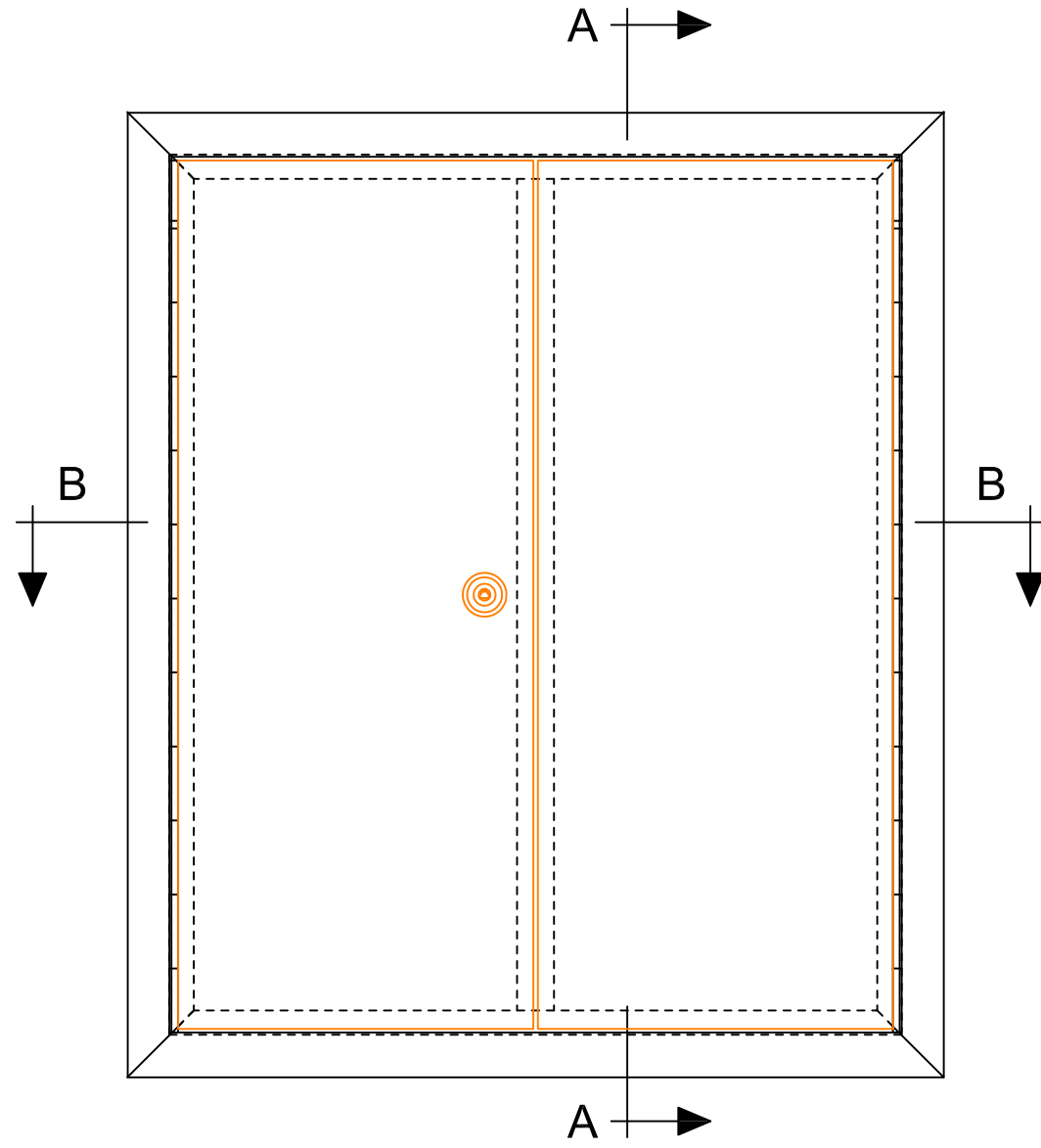
MANHOLE DOORS

These manholes are designed for elements in hidden spaces which require access, both on ceiling and on bulkhead. These manhole doors are made with same material and process as the panel or ceiling where they are fitted, with one or two closing devices according to measures and stainless steel or galvanized steel frames.

Powder coated for greater resistance to wear and impact. According to colour list.

DESCRIPTION	MANHOLE DOORS
Thickness:	25mm / 50mm
Base material:	wool rock 150 kg/m ³
Lining:	lacquered galvanized steel or stainless steel plate 0,6 mm
Frame:	lacquered stainless steel or galvanized steel.
Standard dimensions:	Bulkhead manhole or ceiling; 1800x 515mm, 435x660mm, 265x265mm.

SE PROHIBE LA REPRODUCCIÓN TOTAL O PARCIAL DE ESTE DOCUMENTO SIN AUTORIZACIÓN DE GABADI S.L.
TOTAL OR PARTIAL REPRODUCTION OF THIS DOCUMENT WITHOUT PERMISSION OF GABADI S.L. IS PROHIBITED.



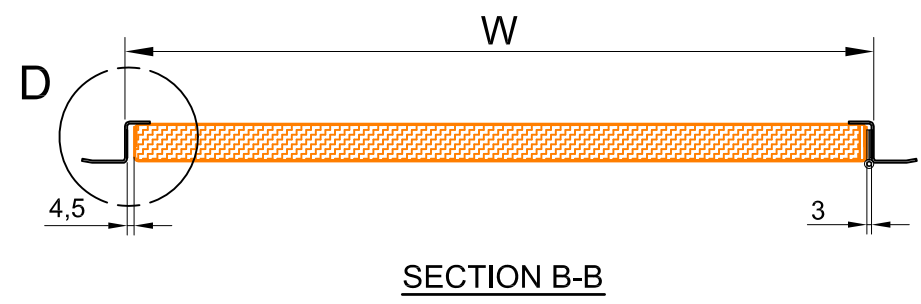
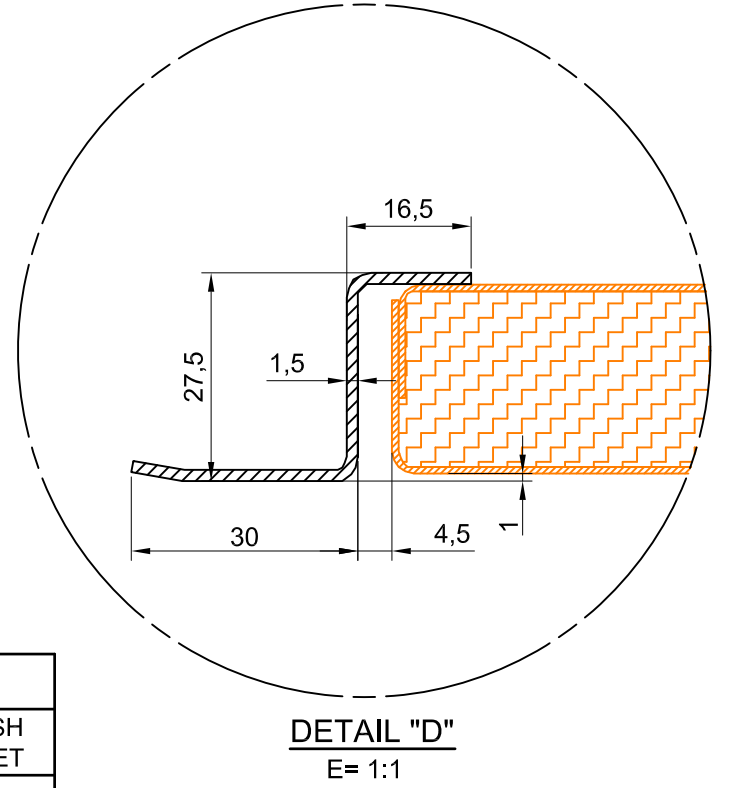
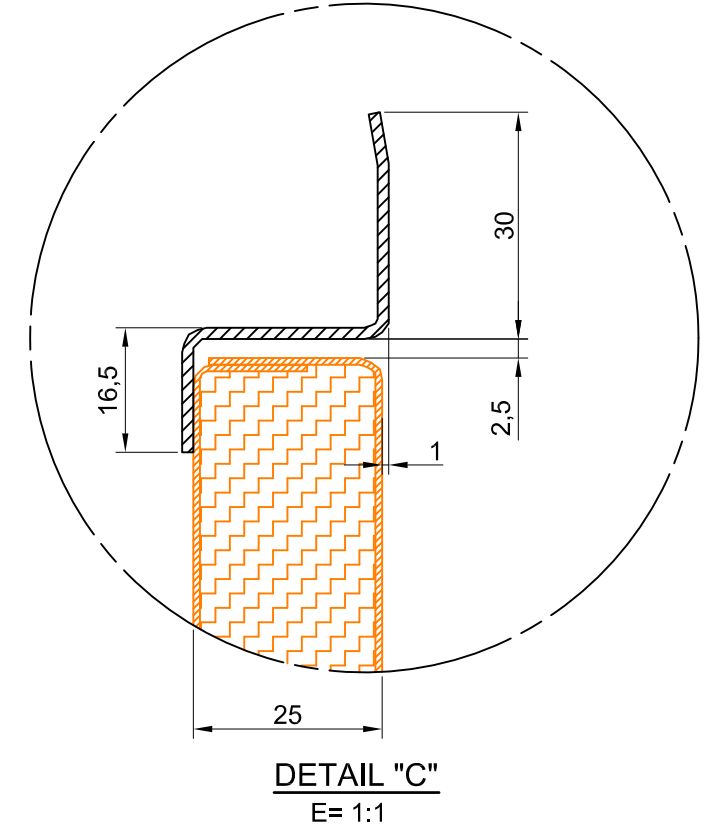
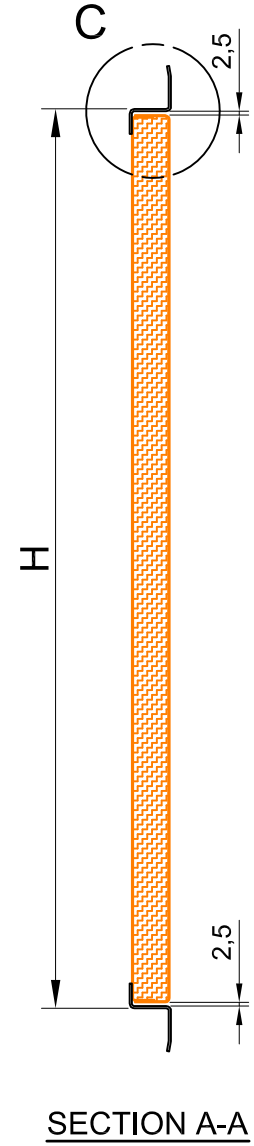
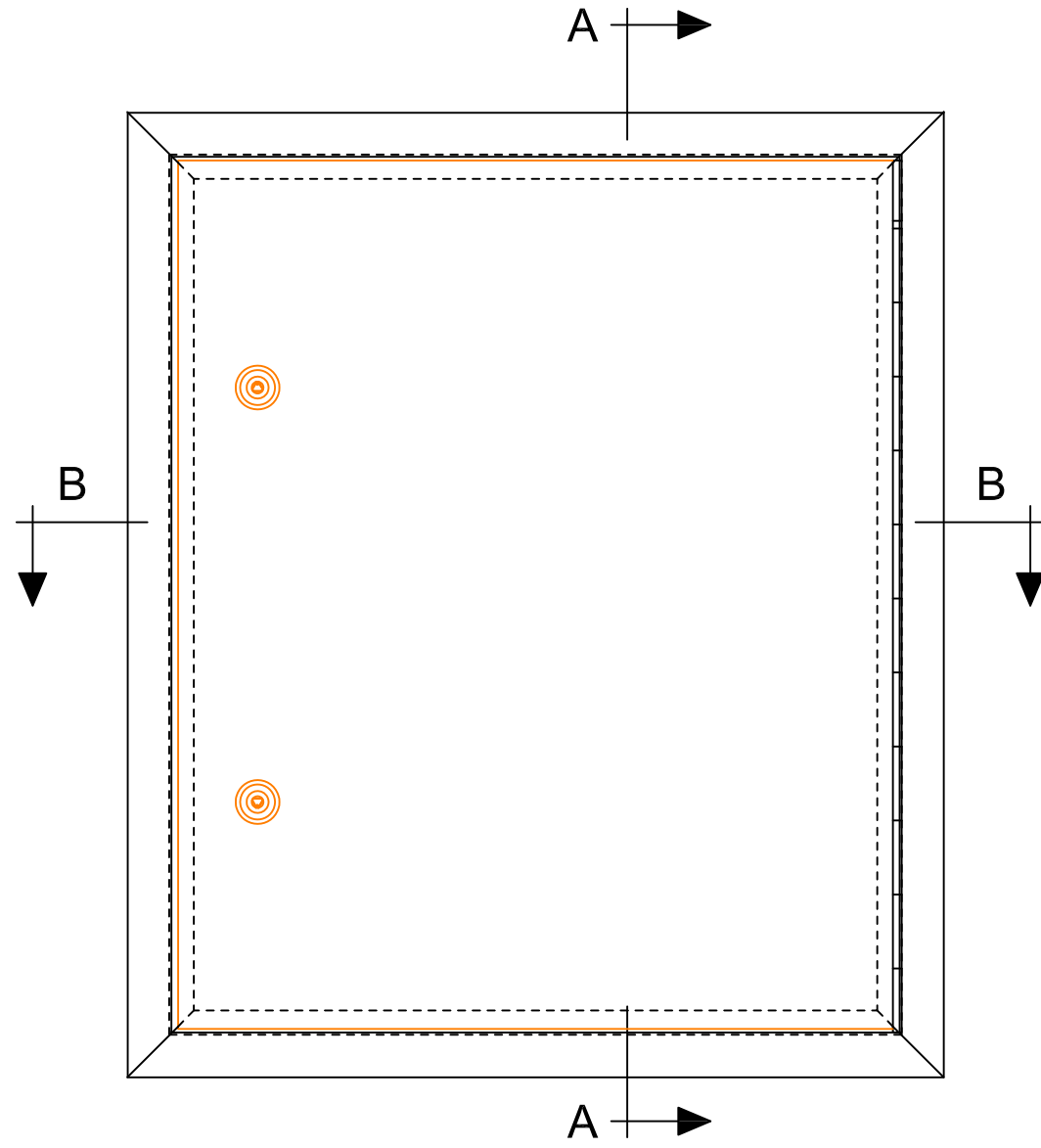
INSPECTION HATCH				
QUANT.	W	H	FINISH FRAME	FINISH SHEET

NOTES:

1.- Each hatch will take 2 steel piano hinges and two triangle closures. If H < 600 will close one centered

	OBRA: WORK:	OBRA	REV: 0
	TÍTULO: TITLE:	INSPECTION HATCH (2 DOORS)	ESCALA: SCALE: 1:5
DIBUJADO POR: DRAWN BY:	N. Lorenzo	PARTIDA: ITEM:	—
REVISADO POR: CHECKED BY:	I. Piñón	PLANO N°: DRAWING N°:	PL-01/CH-----
APROBADO POR: APPROVED BY:		FECHA: DATE:	17-10-2014
		HOJA: SHEET:	2 OF 2

SE PROHIBE LA REPRODUCCIÓN TOTAL O PARCIAL DE ESTE DOCUMENTO SIN AUTORIZACIÓN DE GABADI S.L. / TOTAL OR PARTIAL REPRODUCTION OF THIS DOCUMENT WITHOUT PERMISSION OF GABADI S.L. IS PROHIBITED.



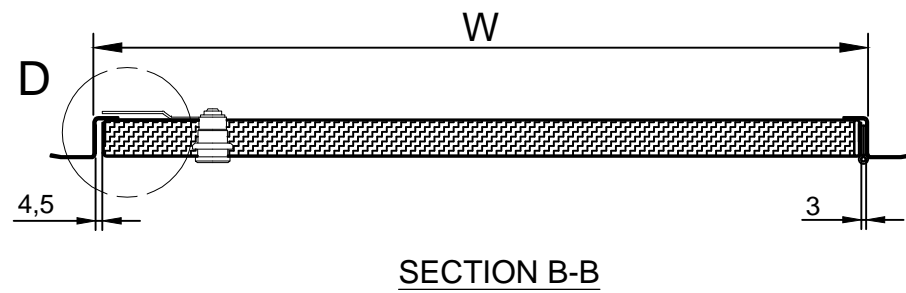
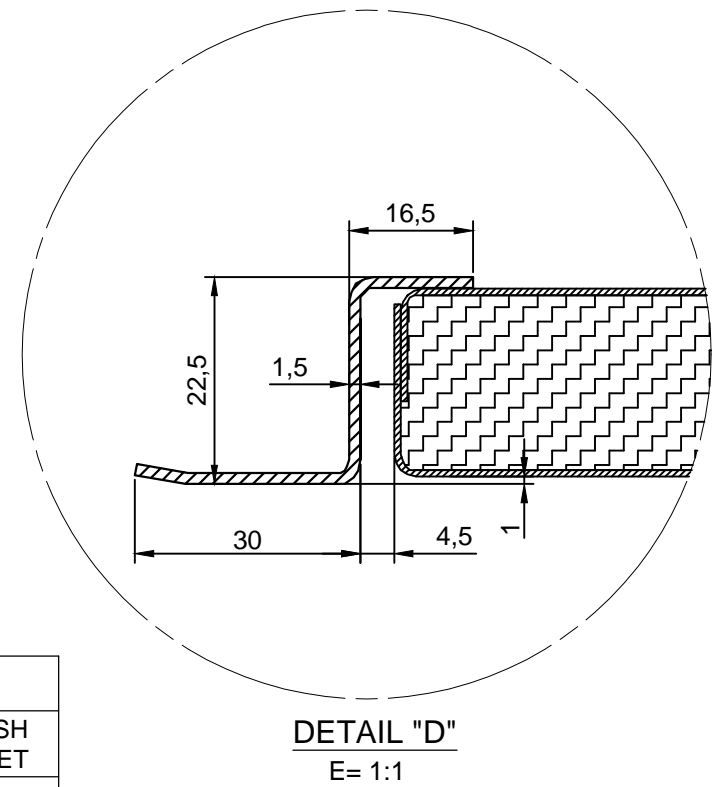
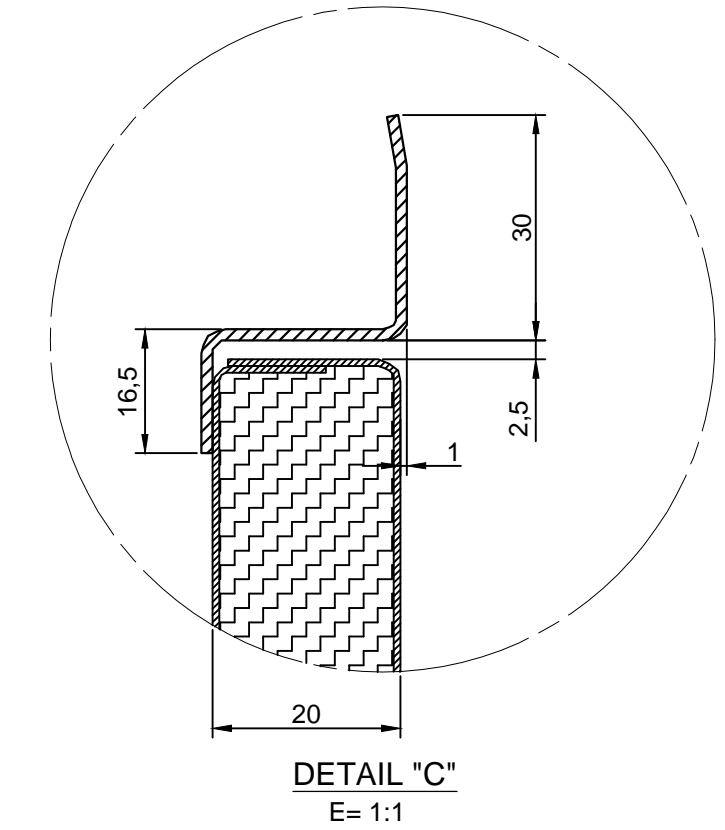
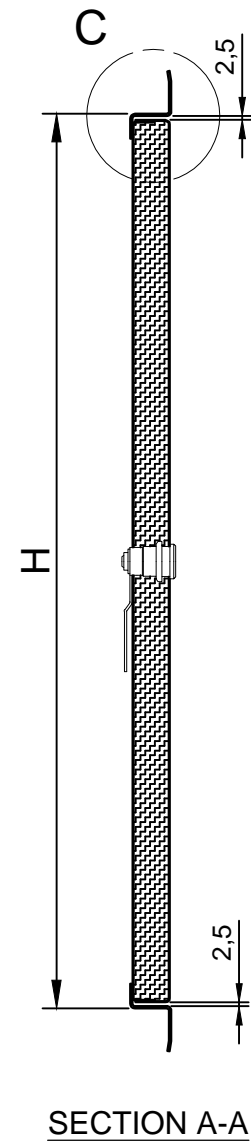
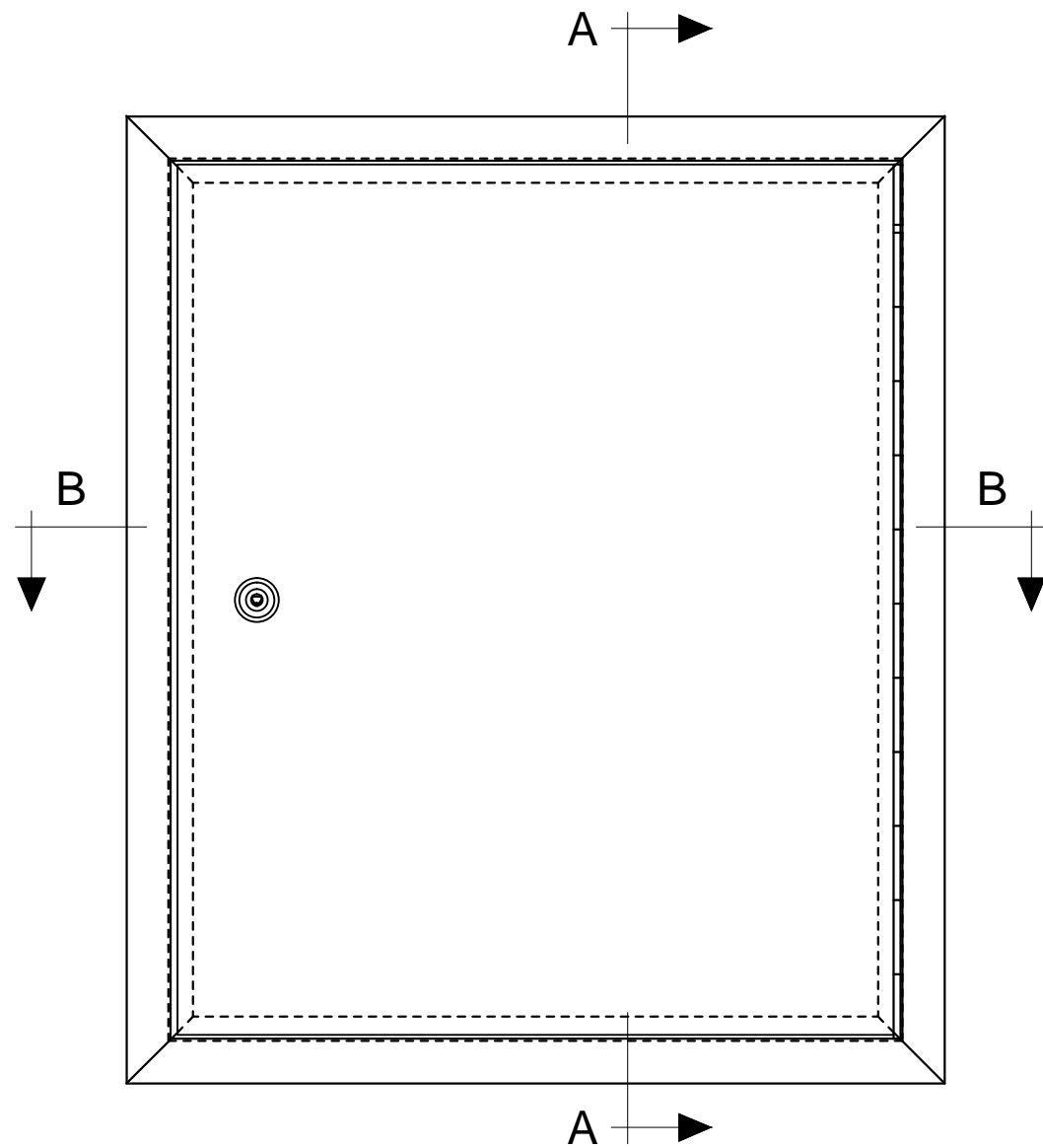
INSPECTION HATCH				
QUANT.	W	H	FINISH FRAME	FINISH SHEET

NOTES:

1.- Each hatch will one steel piano hinge and two triangle closures. If H < 600 will close one centered.

	OBRA:	OBRA	REV:	0	
	TÍTULO:	INSPECTION HATCH (1 DOOR)	ESCALA:	1:5	
DIBUJADO POR:	N. Lorenzo	PARTIDA:	-	FECHA:	
REVISADO POR:	I. Piñón	ITEM:	-	DATE:	17-10-2014
APROBADO POR:		PLANO Nº:	PL-01/CH-----	HOJA:	1
		DRAWING Nº:		DE:	2

SE PROHIBE LA REPRODUCCIÓN TOTAL O PARCIAL DE ESTE DOCUMENTO SIN AUTORIZACIÓN DE GABADI S.L.
TOTAL OR PARTIAL REPRODUCTION OF THIS DOCUMENT WITHOUT PERMISSION OF GABADI S.L. IS PROHIBITED.



INSPECTION HATCH				
QUANT.	W	H	FINISH FRAME	FINISH SHEET

NOTES:

1.- Each hatch will one steel piano hinge and two triangle closures. If H < 600 will close one centered.

	OBRA:	OBRA	REV: 0
	TÍTULO:	INSPECTION HATCH (1 DOOR)	ESCALA: SCALE: 1:5 A3 (420x297)
DIBUJADO POR:	F.R.	PARTIDA:	FECHA:
REVISADO POR:	I. Piñón	ITEM:	DATE: 12-11-2015
APROBADO POR:		PLANO N°:	HOJA:
APPROVED BY:		DRAWING N°:	SHEET: 1 DE: 1